

# MODL Sublime High-End Baseboard Heater



## Features

### Color

- Standard: white, metallic charcoal.
- Optional (upcharge applicable): almond, metallic silver, bronze, aluminum, semi-gloss black, sand.
- Custom colors available upon request.

### Finish

- Standard: epoxy/polyester powder paint.

### Voltage

- 120V, 208V, 240/208V, 277V, 347V, 480V, 600V, 1-phase.

### Construction

- Robust aluminum front cover.
- 20-gauge satin coat steel cabinet.
- Linear high-limit temperature control with automatic reset.
- High altitude version available (-HA).

### Heating element

- Stainless steel tubular heating element with aluminum fins.
- Floating heating element on high-temperature nylon bushings reducing expansion noises.

### Watt density

- Standard watt density.
- Low watt density.

### Control

- Built-in thermostat available with a control knob or tamperproof.
- Mechanical or electronic relays available (installed on the right end only).
- Compartment for low voltage connections (located directly under the junction box) to facilitate the installation of low voltage relay.

*Ouellet highly recommends the use of an electronic wall thermostat for greater comfort.*

### Installation

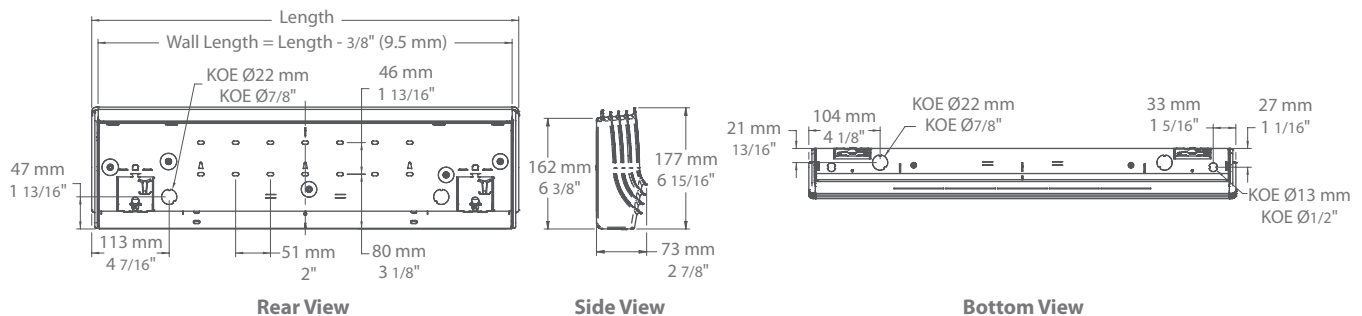
- Installation directly on the floor.
- Connection box at both ends.
- Single-screw built-in wire holder.
- Raceway for ease of installation.
- Two rows of mounting holes spaced at 2 in. (51 mm) intervals for ease of installation.

### Warranty

- 10-year warranty against defects.
- Heating element has a lifetime warranty for the initial end user.

### Application

- Dining room-kitchen, living room, family room, bedroom, bay window, office building, commercial building.



# MODL

## Standard Watt Density Models

Watts	Watts 240/208V	Product #		Length <sup>1</sup>		Weight	
		120V	240/208V	in.	mm	lb	kg
500	500/375	MODLU0502	MODLU0500	29 1/2	750	8.5	3.9
1000	1000/750	MODLU1002	MODLU1000	49 13/16	1265	13.0	5.9
1500	1500/1125	MODLU1502	MODLU1500	68	1727	17.0	7.7
2000	2000/1500	-	MODLU2000	86 1/8	2187	21.0	9.6

<sup>1</sup> Wall length = Length - 3/8" (9.5 mm).

<sup>2</sup> These 2-wire relays with transformer can't supply of 3-wire low voltage thermostats.

<sup>3</sup> "Off" position.

<sup>4</sup> For the U.S. only: The nominal current of the unit must not exceed 80% of the capacity of the disconnect.  
Add "BL" for white, "CM" for metallic charcoal.

Optional colors shown in the color chart section are available upon request.  
Other voltages available upon request.